

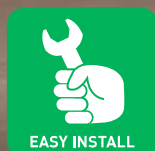
vitris

Glass fittings with logic

Portavant G120

NEW!

The new Portavant fittings with cushioning system on both sides for sash weights from 20 kg up to 120 kg



Portavant G 120 – the new generation of Portavant fitting systems for manually operated sliding doors



Benefits in brief

- Equipped as standard with cushioning and end-position retraction system on both sides
- For all sash weights from 20 kg up to 120 kg
- Three distinct fitting systems ensure that the roller assembly, cushioning system and end-position retraction system are always perfectly adjusted to the various sash weights
- Minimum sash width of only 580 mm for Portavant G 120
- Quiet and smooth operation even with narrow, high sashes thanks to an intelligent double guidance system (maximum height-width ratio of 3:1)
- Also suitable for laminated safety glass made of tempered glass (no bonding required)
- No glass cut-out required, even when laminated safety glass (made of tempered glass) is used
- Easy to install thanks to adjustment from the front, clip-on cover profile, plus damper and activator installation positions predefined by the system
- For almost any installation situation – including with door frames (spacer profiles available)
- Optional accessories: electric lock (no additional profile overlap required, retrofittable) or door stop profiles with striking plate for mechanical locks

Suitable fitting solutions for every sash weight

Portavant G 120 is generally used for higher sash weights or special installation situations such as glass wall mounting. The standard cushioning system allows Portavant G 120 to be used for sash weights from 60 kg to 120 kg. An optional cushioning system is available for lightweight doors from 20 kg up to 60 kg.



Equipped as standard with cushioning and end-position retraction systems on both sides

Portavant G 120 is equipped with cushioning and end-position retraction systems on both sides of the track profile as standard. No glass cut-out is required and the minimum sash width is 580 mm.



COMFORT STOP

The cushioning system for your safety

Before the end positions are reached, an innovative, hydraulic cushioning system gently and quietly slows down the sashes.



COMFORT STOP

- prevents the door from banging hard, thus avoiding the associated noise and vibrations,
- reliably protects against glass breakage and damage to fittings and walls,
- prevents damage due to doors derailing or tilting,
- removes the risk of trapped fingers almost entirely.

COMFORT STOP ensures that everything you appreciate remains safe.



PERFECT CLOSE

The end-position retraction system for perfectly closed doors

The **PERFECT CLOSE** end-position retraction system closes the sashes fully and safely once they have been slowed down by the innovative cushioning system and



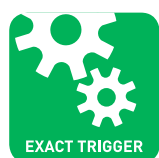
- ensures that the door closes completely even if not entirely shut tight when in a hurry,
- keeps the door in position and prevents it from bouncing back,
- averts undesirable draughts, energy wastage, lack of noise protection, as well as visual impairment of a space arising when doors are not fully closed.

PERFECT CLOSE ensures silence, discretion and well-being in gently closed spaces.





Portavant G 120



EXACT TRIGGER

A mechanism you can rely on

Inside the Portavant G 120 fitting systems, intelligent design principles (patents pending) ensure their outstanding quality and long service life.

The design concept offers decisive advantages in comparison to other systems:

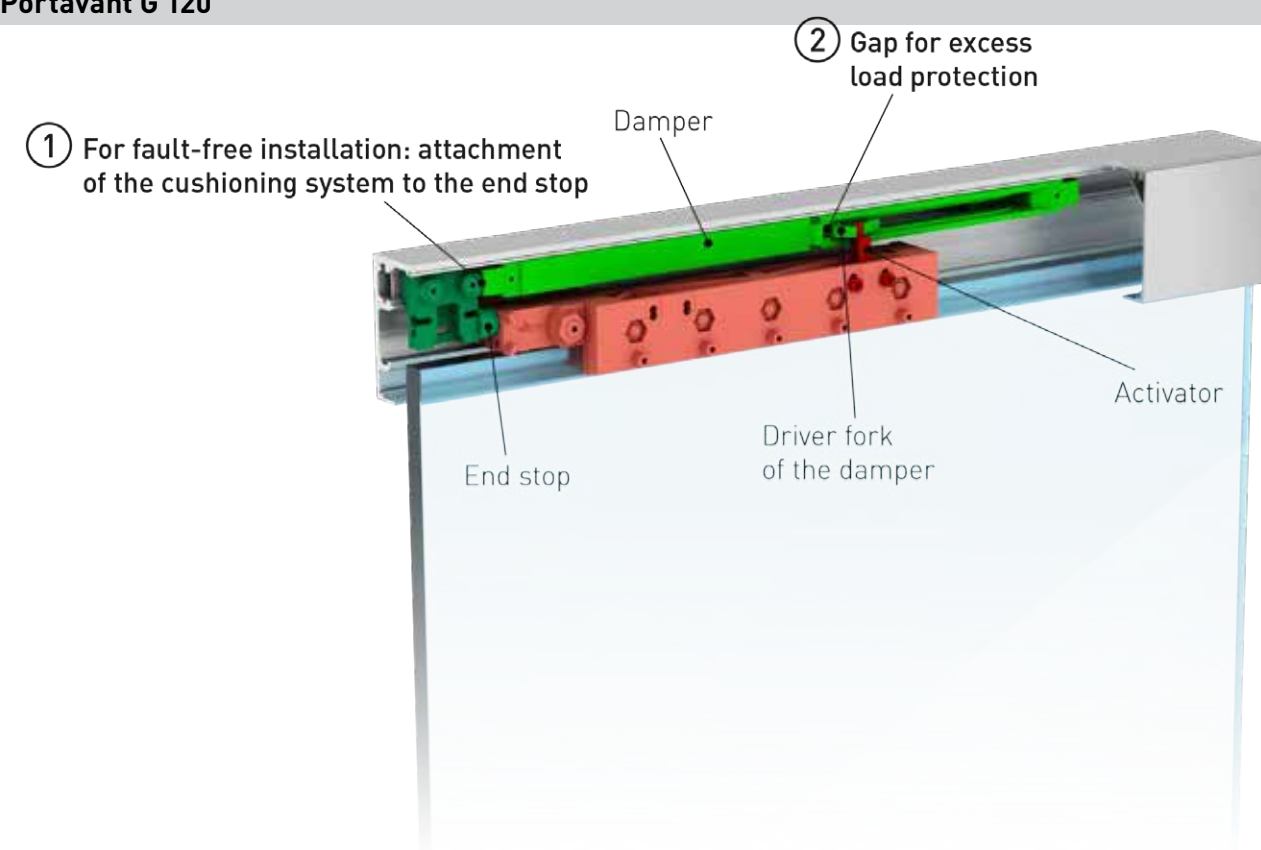
1) Fault-free installation due to the connection of the cushioning system to the end stop

As the cushioning system is attached to the end stop and the activator connected to the roller assembly, the activator is always in the correct position in relation to the longitudinal side of the track profile, thus ensuring reliable activation of the cushioning system at all times. This prevents damage to the cushioning system which would result from an incorrect adjustment of the endstop or activator.

2) Excess load protection

When a door is closed with excess force, it still has some momentum at the end of the cushioning process. If this happens with the Portavant M and Portavant G fitting systems, the end stop finally stops the door before the cushioning system is fully retracted, preventing components of the cushioning system from breaking.

Portavant G 120

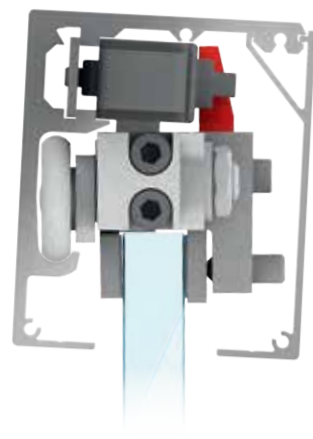


3) Adjustment possibility for walls which are out of plumb

The cushioning system is fully functional even when the track profile has not been installed exactly perpendicular to the glass door (due to walls out of plumb, for instance). The activator can be adjusted for any track profile deviation within +/- 3 degrees from the plumb line, and to all height positions of the door sash.

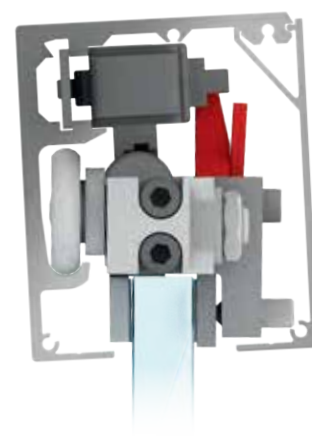
Adjustment of the Portavant G 120 activator position

Activator down, without spacer plates



Track profile inclination of +3 degrees;
height adjustment of the sash: up

Activator up, with two spacer plates



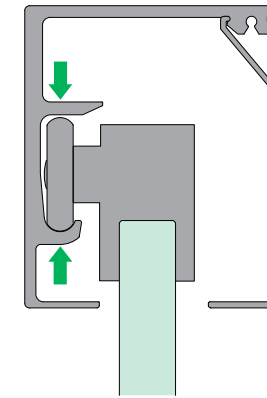
Track profile inclination of -3 degrees;
height adjustment of the sash: down

With EXACT TRIGGER the cushioning mechanism will always work correctly.



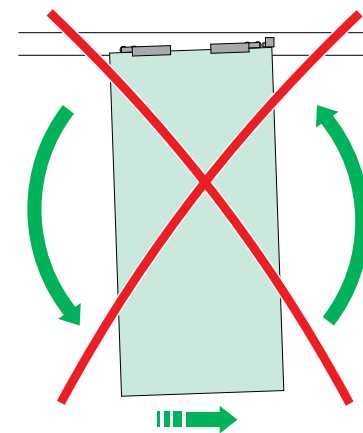
DOUBLE GUIDE

The intelligent double guidance system for smooth and quiet operation and increased safety



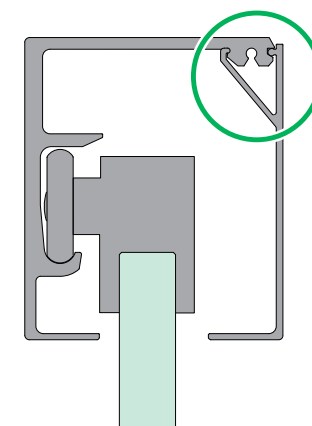
No safety catch required

With Portavant G 120, the track profile ensures that the rollers are guided safely both from above and below. Thanks to this intelligent double guidance of the rollers, there is no need for an additional safety catch. This saves time during installation, prevents errors and provides additional safety.



Smooth and quiet operation even with narrow sashes

With many other types of fitting, doors tend to tilt during the cushioning action. With Portavant G 120, tilting is prevented by the double guidance of the rollers ensuring that even narrow and high sashes run smoothly and quietly. Thanks to the innovative clamping jaws which hold the sash securely within the roller assembly (neither bonding nor glass drilling required), the sashes may have a maximum height-to-width ratio of 3:1.



Practical clip-on cover profile

Due to the double guidance the roller assembly remains correctly in the track profile even when a pendulum impact test is carried out laterally by analogy with the EN 14428 standard for showers. The cover profile does not have to absorb the lateral impact, so that a clip-on cover profile can be used here without any qualms. The clip-on cover profile saves time and offers quick access even after the system has been installed.

Thanks to DOUBLE GUIDE your door runs smoothly and safely.



EASY INSTALL

The solution for greatest ease of installation

Portavant G 120 stands out thanks to a very simple installation process.

Easy insertion of the glass sashes thanks to a two-part clamp roller assembly

For all three of the fitting systems, the clamp roller assembly has a two-part design: the clamping jaws and roller assembly are separate components. First of all, only the clamping jaws are mounted onto the sash. The sash is then placed in front of the track profile. Only then the roller assemblies, which previously have been inserted by a swivelling-in movement into the track profile, are screwed together with the clamping jaws, thus avoiding any damage to the running surfaces of the rollers when the heavy sash is inserted into the track profile.

Secure clamping without glass cut-out – also when using laminated safety glass

The clamping jaws feature a clamping plate, which ensures that all sashes within the permitted thickness range are securely clamped. Installation errors are avoided because the same screws are used for all sashes and because no special shims or spacers are necessary to compensate for different glass thicknesses. When sashes of a permitted thickness are used, no additional bonding or other means of securing is required even when using laminated safety glass (made of tempered glass). The clamp carrier is pretensioned to ensure that even if the interlayer of the laminated safety glass is compressed, thus reducing the overall glass thickness, sufficient clamping force remains.

Adjustable from the front

Before the cover profile is clipped into place, the Portavant G 120 fittings allow for all components to be installed and adjusted from the front.

- **Adjustment of the closing position of the sliding sash**

The closing position is adjusted simply by shifting the end stop. The cushioning system moves at the same time and therefore does not need to be readjusted.

- **Height adjustment of the sliding sash**

The height of the sliding sash is adjusted via an eccentric cam, which allows for an easy +/-4 mm adjustment.

- **Adjustment of the activator**

The position of the activator can be adjusted to any track profile deviation within +/- 3 degrees from the plumb line, and to all height adjustments of the door sash (see also page 8).

Great ease of installation thanks to a clip-on cover profile

After a final functional test is carried out with all of the components clearly visible, the clip-on cover profile is pressed onto the track profile from the front. Nothing could be simpler!

EASY INSTALL makes the installation of Portavant sliding doors a breeze.





SYSTEM FIT

The modular solution for your installation situations

The Portavant G 120 fittings are designed as modular systems and offer solutions for all installation situations:

- wall, ceiling or glass wall mounting¹⁾,
- with or without sidelight,
- as one-sided or two-sided system,
- for glass or wood sashes,
- also for installations above or overlapping door frames (using spacer profiles),
- including lateral fixing for self-supporting systems²⁾



Wall mounting



Ceiling mounting without sidelight



Ceiling mounting with sidelight



Glass wall mounting



Door with wood sash



Installation above the door frame

For greater design options, the fitting systems are available in natural aluminium (EV1), stainless steel effect (C31, main visible surfaces brushed), anodised black (C35, not for glass wall mounting) and powder-coated white (RAL 9016, for wall mounting only).



Comprehensive accessories round off the Portavant range:



Profiles and accessories for fixed glazing



Finger pull handles and bars



Floor guides for standard and special applications

Options: Floor guides for special applications



Floor guide for satinised sashes

With this floor guide, the satinised side of the glass sliding sash is guided along a special, coated roller. So even satinised sashes can be guided smoothly, quietly and precisely without any scraping noises.



Wall bracket for floor guide

The wall bracket enables the floor guide to be installed at the wall instead of on the floor. This means that drill holes in the floor can be avoided – something that might be required with particularly valuable floorings or when an underfloor heating has been installed.

SYSTEM FIT offers modular solutions to meet all your installation requirements.



EASY LOCK

The solution for easy locking

If you wish to lock your sliding door, there are two options available: an electric lock or door stop profiles with striking plate for mechanical locks.

1. Electric lock

The electric lock hides behind the cover profile so that neither the transparent look of the glass sashes nor the elegant design of the profiles is impaired. The lock consists of the following components:

- the locking hook, which is attached to the end stop,
- the electromagnet, which is also attached to the end stop and which holds – when energised – the locking hook in the locked position,
- the locking cam, which sits on the roller assembly and behind which the locking hook latches in place when the lock is closed, and
- the guiding cam, which ensures that the locking hook always latches in correctly behind the locking cam.

The electric lock offers the following advantages:

Ease of installation without glass cut-outs or additional profile overlap

The space-saving attachment of both the pot magnet and the locking hook at the end stop eliminates the need for glass cut-outs. An additional, lateral overlap of the track profile to accommodate the lock is unnecessary.

Retrofittable

The electric lock can be retrofitted. It can be installed on the right or left hand side.

Snap function

The electronic lock has a snap function that allows the door to engage with a lock that has already been activated; the locking hook then snaps into place.

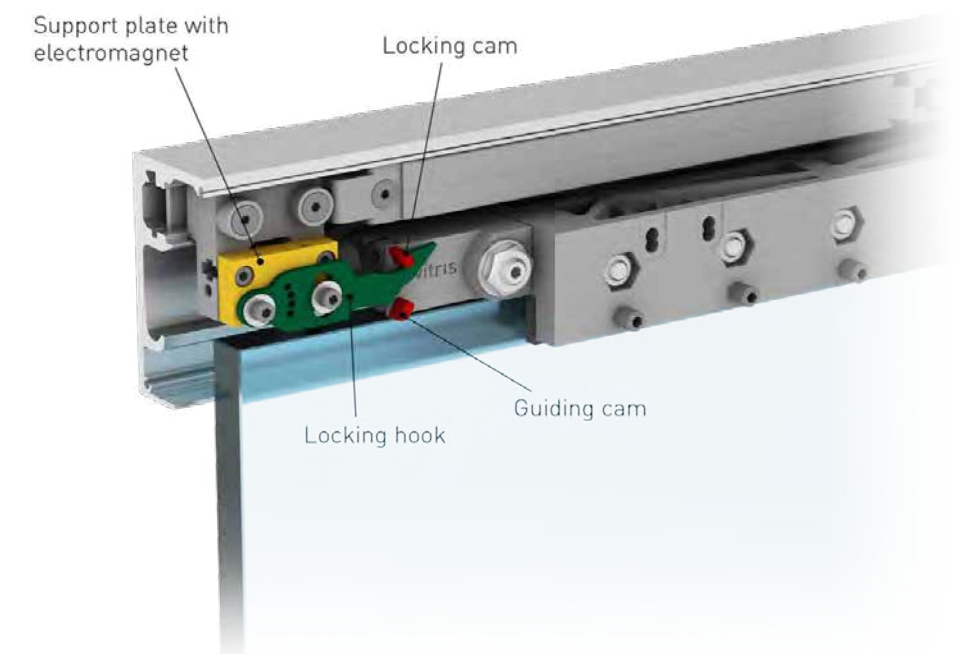
Hazard protection

The lock is powered by an electromagnet and opens automatically in the event of a power failure. Protection of persons, i.e. a means of escape in the event of an emergency, is given priority over the protection of valuables. A wired switch that interrupts the power supply to the lock should always be installed inside the room to open the lock, allowing anyone inside to leave at any time.

Compatibility

The low voltage (24V DC) lock can be connected to and operated with your preferred electronic components.

Electric lock for Portavant G 120

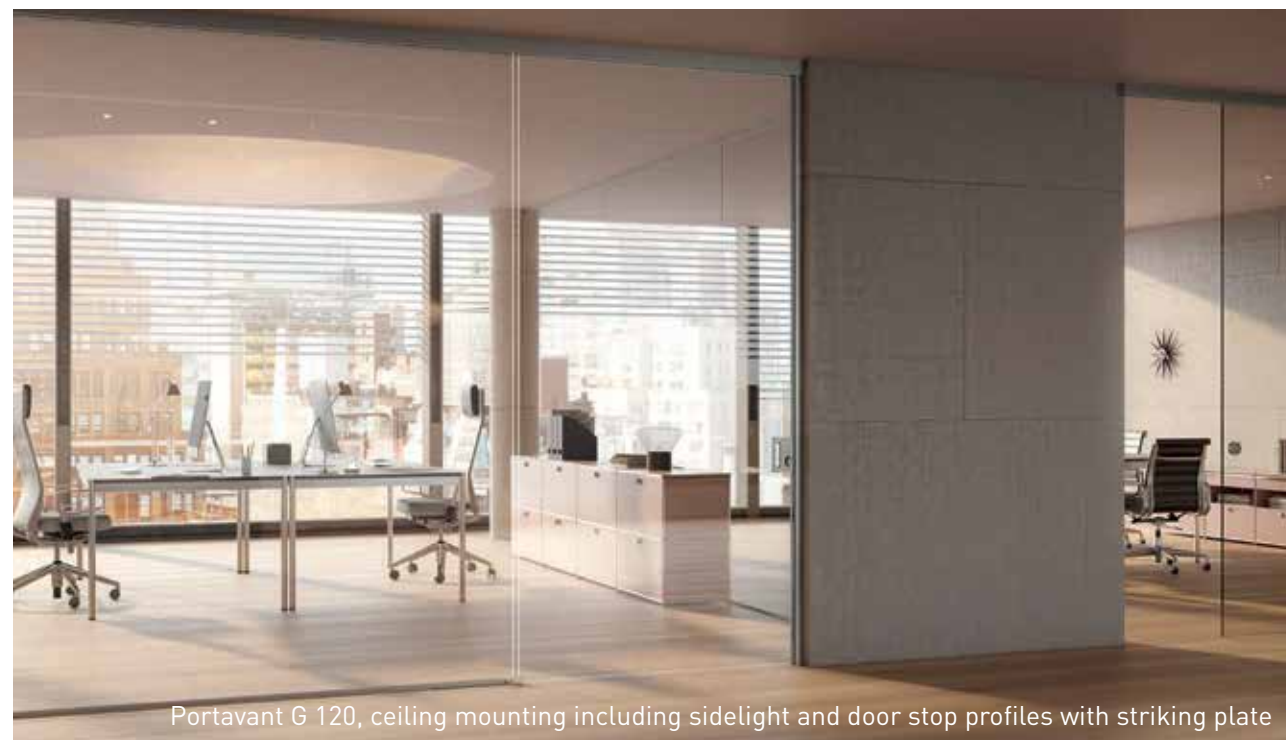


2. Door stop profiles with optional striking plate

Portavant door stop profiles with optional striking plate for hook bolt locks are available for use with a mechanical lock.



wall mounting including door stop profiles with striking plate



Portavant G 120, ceiling mounting including sidelight and door stop profiles with striking plate

EASY LOCK enables easy locking of your sliding door, whether using an electric lock or door stop profiles with striking plate.

FAMILIAR WILLACH QUALITY

For more than 130 years, Willach has stood for the highest quality, excellent workmanship and products with a long service life. You will also find Willach's familiar high quality reflected in the products of the Portavant range:

Utmost technical quality

- Minimal initial rolling resistance (Class 3, DIN EN 1527) results in outstanding easy running characteristics
- Extremely long service life (200,000 cycles with Portavant G 120 and 100,000 cycles with Portavant M 50 and Portavant M 80)
- Corrosion resistance (suitable for humid interior spaces in accordance with DIN EN 1527/1670)
- Maintenance-free

Trusted delivery reliability

All standard parts are held in stock at Ruppichteroth (Germany) and delivered using Willach's familiar delivery reliability and dependability.

Professional advice

Our technical office and field staff offer professional advice and technical support for all your questions. With Portavant G 120, you will continue to benefit from the company's traditionally high service quality.



wall mounting

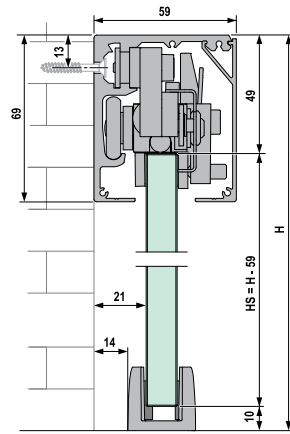
TECHNICAL INFORMATION

	Portavant G 120
Sash weight	From 20 kg ²⁾ up to 120 kg
Sliding sash glass width	Minimum 580 mm The maximum height-width ratio of the sliding sashes is 3:1.
Sliding sash glass thickness Tempered glass	8 mm, 10 mm, 12 mm
Laminated safety glass made of tempered glass	8.76 mm, 10.76 mm, 12.76 mm
Sidelight glass thickness Tempered glass	10 mm, 12 mm
Laminated safety glass made of tempered glass	10.76 mm, 12.76 mm
Wood sliding sash thickness	38 mm – 55 mm
Available profile lengths¹⁾	1996 mm, 2496 mm, 2996 mm, 3496 mm, 3996 mm, 5996 mm and custom length
Equipment	Cushioning and end-position retraction systems on both sides as standard
Optional accessories	Electric lock, door stop profiles with optional striking plate, spacer profiles, floor profiles and wall profiles
Possible installation situations	Glass or wood sashes; one-sided or two-sided; wall mounting, ceiling mounting with or without sidelight, glass wall mounting
Colours	Natural aluminium (EV1), stainless steel effect (C31, main visible surfaces brushed), anodised black (C35, not for glass wall mounting) and powder-coated white (RAL 9016, for wall mounting only)

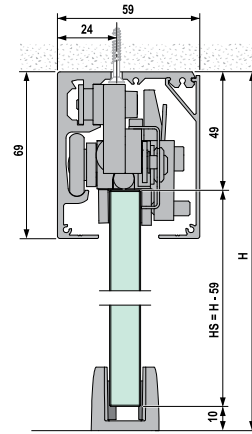
BROAD MODEL RANGE TO MEET CUSTOMER REQUIREMENTS

Portavant G 120 – glass sliding doors

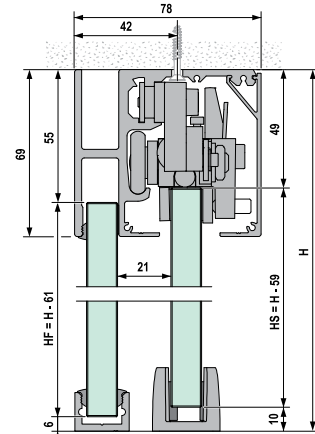
Wall mounting



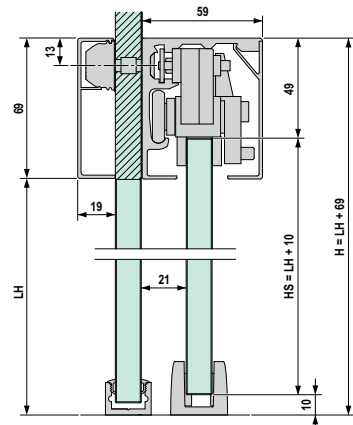
Ceiling mounting



Ceiling mounting with sidelight

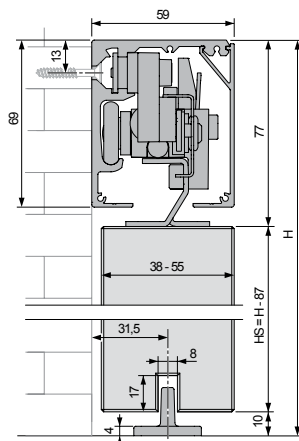


Glass wall mounting

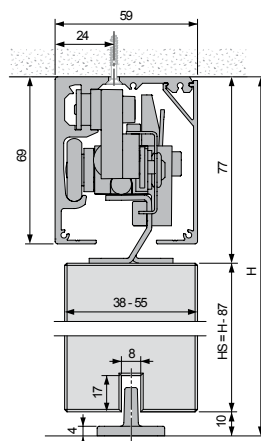


Portavant G 120 – wood sliding doors

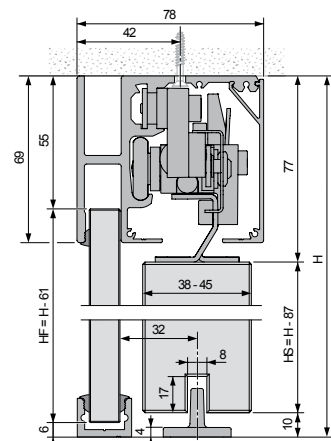
Wall mounting



Ceiling mounting

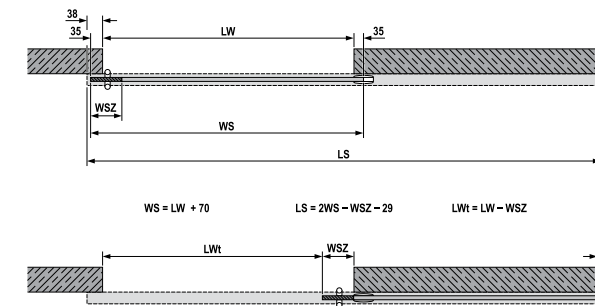


Ceiling mounting with sidelight

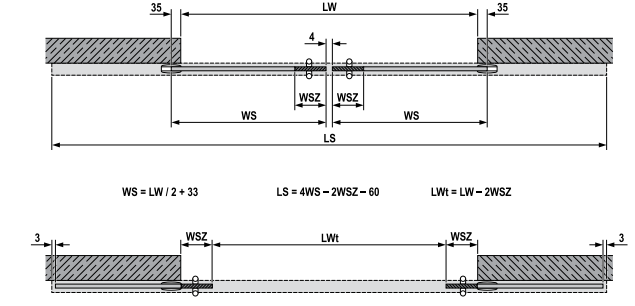


BROAD MODEL RANGE TO MEET CUSTOMER REQUIREMENTS

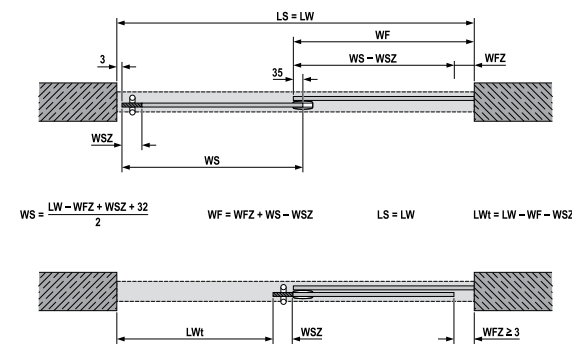
One-sided system without sidelight



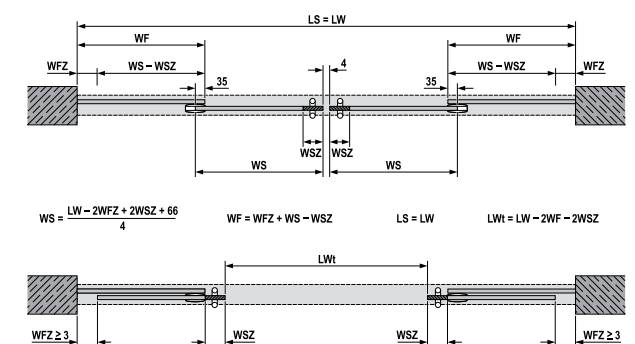
Two-sided system without sidelight



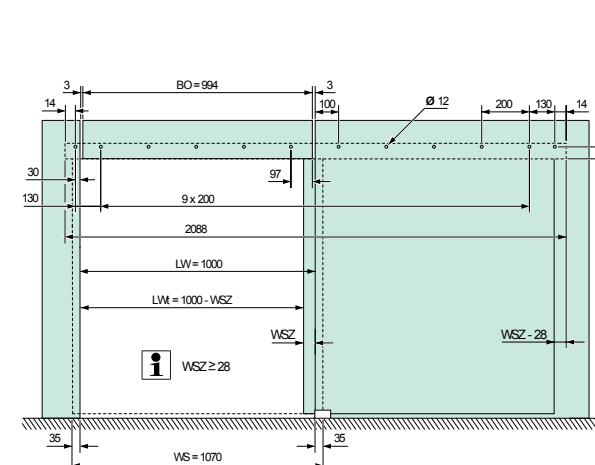
One-sided system with sidelight



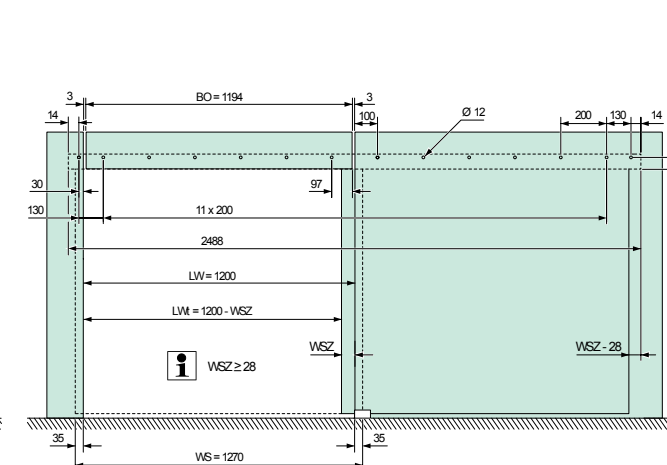
Two-sided system with sidelight



Glass wall mounting (clear width: 1000 mm)



Glass wall mounting (clear width: 1200 mm)



Legend

B0	= glass width of transom light
H	= system height
HF	= glass height of sidelight
HS	= glass height of sliding sash
LH	= clear height
LS	= length of track profile/cover profile

LW	= clear width (building)
LWt	= clear width (door passage)
WF	= glass width of sidelight
WFZ	= additional width of sidelight
WS	= glass width of sliding sash with handle
WSZ	= additional width of sliding sash for handle



The company

With its VITRIS product division, Willach is among the leading producers of glass fittings in Europe. Since its foundation in 1889, the company has been dedicated to the manufacture of products to the highest quality and precision standards. Willach quickly cemented its pioneering reputation with numerous technical innovations and intelligent solutions that paid close attention to intricate detail. With the Portavant product line, Willach today offers a range of elegant, technically sophisticated fittings for glass sliding interior doors. The Aquant product line offers high-quality fittings for shower glass sliding doors. In addition, the Atrivant product line offers intelligent sliding glass door fittings for balcony and terrace glazing. Furthermore, the VITRIS product range comprises a comprehensive modular system of showcase fittings, sliding door locks and slot bar systems for discerning interior, shop and trade show furnishings. VITRIS products are certified in accordance with ISO standards and are manufactured at our Ruppichteroth production site in Germany to stringent manufacturing standards. This forms the basis for the excellent quality and consistently high level of availability of the entire VITRIS range.

Please contact us and we will be happy to advise you!

Gebr. Willach GmbH | Stein 2
53809 Ruppichteroth
Germany
Tel.: +49 2295 9208 421/423/427/431
Fax: +49 2295 9208 429
vitr@willach.com | www.willach.com



Willach Group
since 1889

Benefit from these advantages



COMFORT STOP

The cushioning system for your safety: slows down the sliding sashes gently and quietly before the end positions are reached.



PERFECT CLOSE

The end-position retraction system for perfectly closed doors: pulls the door safely to its end position and prevents it from bouncing back, thus ensuring discretion and well-being in perfectly closed spaces.



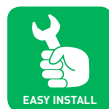
EXACT TRIGGER

A mechanism you can rely on: features a revolutionary design that ensures that the cushioning system always functions reliably.



DOUBLE GUIDE

The double guidance mechanism: keeps your sashes running smoothly, quietly and safely.



EASY INSTALL

The solution for greatest ease of installation: makes the installation of sliding doors a breeze.



EASY LOCK

The solution for easy locking: makes it easy to lock your sliding door, whether using an electric lock or door stop profiles with striking plate.



SYSTEM FIT

The modular solution for your installation: resolves almost any installation situation using modular system components.

Stamp

Product descriptions, drawings and illustrations represent neither assured characteristics nor declarations of guarantee. Subject to change, errors excepted.

Edition 04/2021